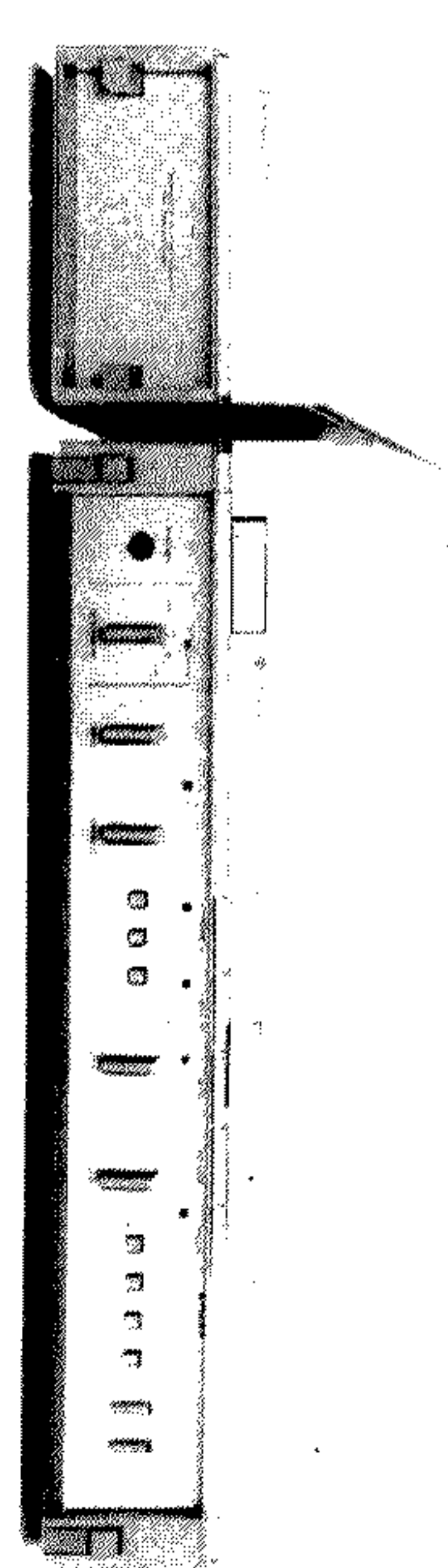


Handwritten note: 2SK1186 2SK2837 2SA957 2SC2167

NEW SEPARATE AMPLIFIER

E F G H I J K L

KA-1000



SPECIFICATIONS

POWER OUTPUT
 100 watts* per channel minimum RMS, both channels driven, at 8 ohms from 20 Hz to 20,000 Hz with no more than 0.005% total harmonic distortion.

Both Channels Driven: 115 + 115 watts 8 ohms at 1,000 Hz

Total Harmonic Distortion (20 Hz to 20,000 Hz) AUX input to SPEAKER output: 0.005% at rated power into 8 ohms

0.005% at 1/2 rated power into 8 ohms

PHONO input to SPEAKER output: 0.007% at rated power with VOLUME - 20 dB

0.005% at rated power into 8 ohms

600, at 100 Hz into 8 ohms

Damping Factor 18 Hz to 400 kHz, +0 dB, -3 dB

Transient Response Accept 4 ohms to 16 ohms

Rise Time 0.9 μs ± 120 V/μs

Slew Rate ± 120 V/μs

Frequency Response DC to 400 kHz, +0 dB, -3 dB

(DC COUPLED at ON)

Speaker Impedance 18 Hz to 400 kHz, +0 dB, -3 dB

Accept 4 ohms to 16 ohms

Input Sensitivity/Impedance

Phono (MM) 2.5 mV/33 k ohms, 47 k ohms and 100 k ohms

Phono (MC) 0.2 mV/100 ohms

Tuner AUX, Tape A, B 150 mV/47 k ohms

Signal-to-Noise Ratio (HF: A)

Phono (MM) 87 dB for 2.5 mV input

93 dB for 5.0 mV input

99 dB for 10 mV input

67 dB for 0.2 mV input

73 dB for 0.4 mV input

105 dB for 150 mV input

Phono (MC) 270 mV (RMS), T.H.D. 0.003% at 1,000 Hz

15 mV (RMS), T.H.D. 0.003% at 1,000 Hz

Output Level/Impedance

Tape REC (Pin) 150 mV/330 ohms

(DIN) 30 mV/80 k ohms

Phono Frequency Response RIAA standard curve ± 0.2 dB (20 Hz to 20,000 Hz)

Loudness Control +10 dB at 100 Hz (at -30 dB VOLUME level)

Tone Control

Bass ± 10 dB, at 50 Hz

± 10 dB, at 100 Hz

Treble ± 10 dB, at 10 kHz

± 10 dB, at 20 kHz

Subsonic Filter 6 kHz

(DC COUPLED at OFF) 18 Hz, 6 dB/oct

GENERAL

Power Consumption 5.7 IUL/CSA)

AC Outlets 800 watts (IEC)

Switched 2, Unswitched 2

Dimensions

W 440 mm (17.5/16.7")

H 123 mm (4.27/3.27")

D 375 mm (14.3/4.7")

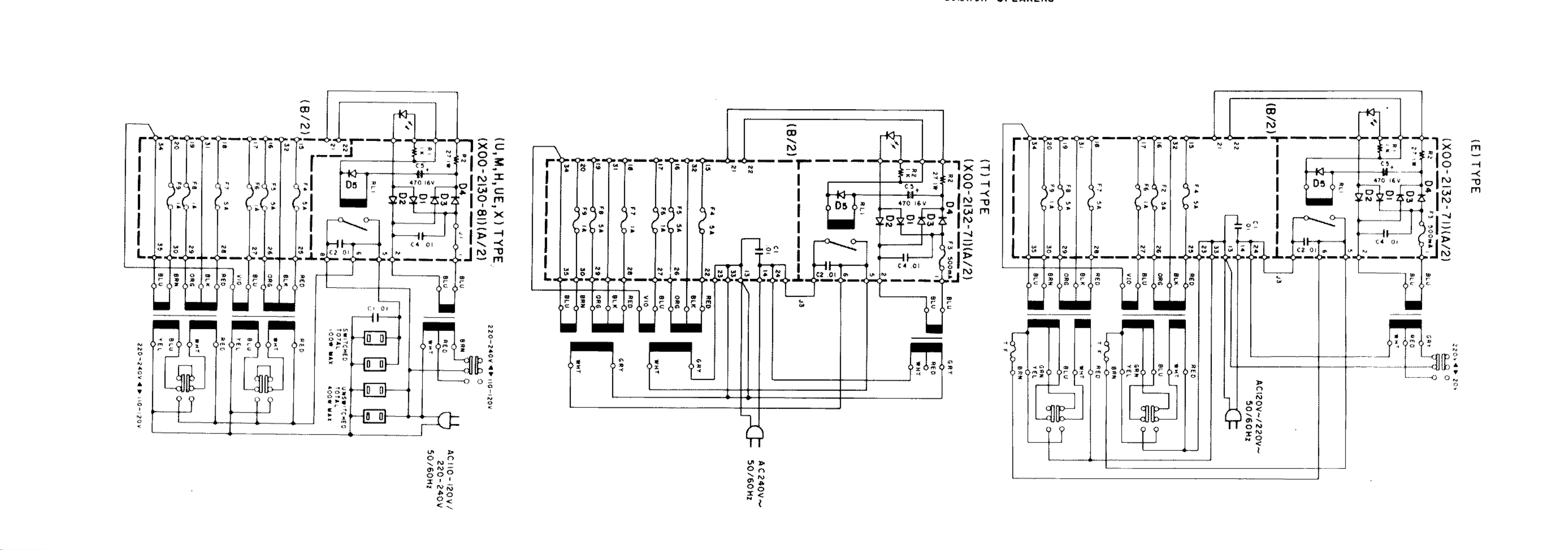
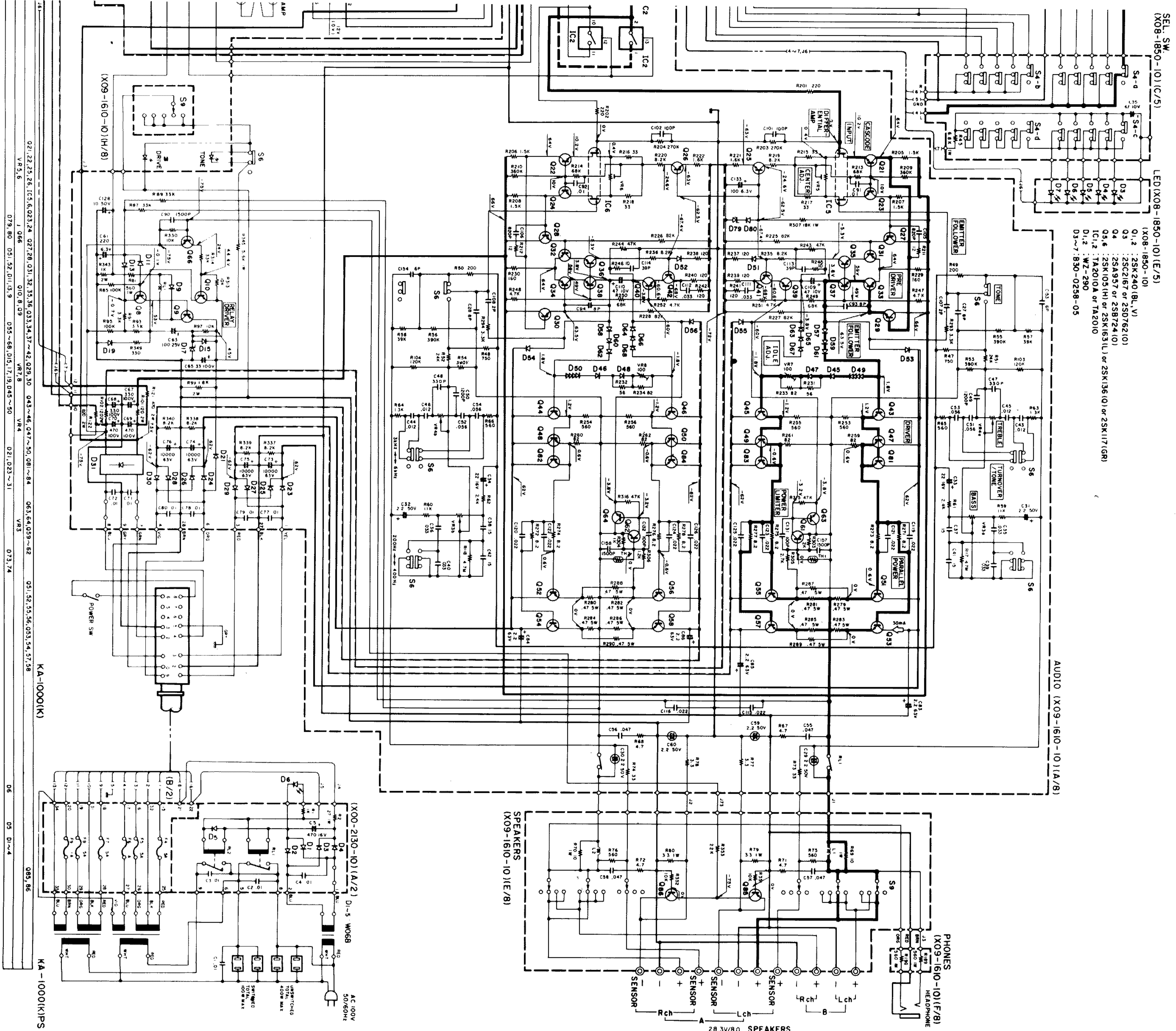
Net Weight 14.4 kg (31.7 lb)

* Measured pursuant to Federal Trade Commission's Trade Regulation rule on Power Output Claims for Amplifier in U.S.A.

Kenwood follows a policy of continuous advancements in development. For this reason specifications may be changed without notice.

Kenwood poursuit une politique de progrès constants en ce qui concerne le développement. Pour cette raison, les spécifications sont sujettes à modifications sans préavis.

Kenwood strebt ständige Verbesserungen in der Entwicklung an. Daher bleiben Änderungen der technischen Daten jederzeit vorbehalten.

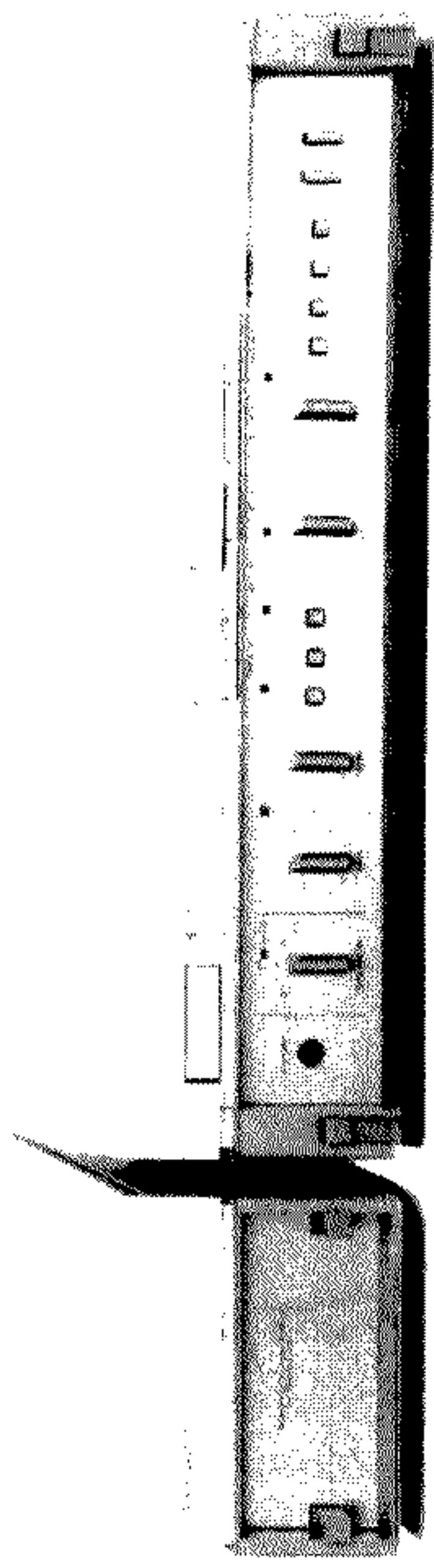


DC voltages are measured by a VOM with 25 kΩ/V input impedance.

NEW SEPARATE AMPLIFIER

KA-1000

REVISED EDITION



SPECIFICATIONS

POWER OUTPUT
 100 watts* per channel minimum RMS, both channels driven, at 8 ohms from 20 Hz to 20,000 Hz with no more than 0.005% total harmonic distortion.

- Both Channels Driven..... 115 + 115 watts 8 ohms at 1,000 Hz
- Total Harmonic Distortion (20 Hz to 20,000 Hz)..... 0.005% at rated power into 8 ohms
- AUX input to SPEAKER output..... 0.005% at 1/2 rated power into 8 ohms
- PHONO input to SPEAKER output..... 0.007% at rated power with VOLUME - 20 dB
- Intermodulation Distortion (60 Hz; 7 kHz = 4:1)..... 0.005% at rated power into 8 ohms
- Damping Factor..... 600, at 100 Hz into 8 ohms
- Transient Response..... 0.9 μ s
- Rise Time..... ± 120 V/ μ s
- Slew Rate..... DC to 400 kHz, +0 dB, -3 dB (DC COUPLED at ON)
- Frequency Response..... 18 Hz to 400 kHz, +0 dB, -3 dB (DC COUPLED at OFF)
- Speaker Impedance..... Accept 4 ohms to 16 ohms
- Input Sensitivity/Impedance
- Phono (MM)..... 2.5 mV/33 k ohms, 47 k ohms and 100 k ohms
- Phono (MC)..... 0.2 mV/100 ohms
- Tuner, AUX, Tape A, B..... 150 mV/47 k ohms
- Signal-to-Noise Ratio (IHF - A)
- Phono (MM)..... 87 dB for 2.5 mV input
 93 dB for 5.0 mV input
 99 dB for 10 mV input
 67 dB for 0.2 mV input
 73 dB for 0.4 mV input
 105 dB for 150 mV input
- Phono (MC)..... 270 mV (RMS), T.H.D. 0.003% at 1,000 Hz
 15 mV (RMS), T.H.D. 0.003% at 1,000 Hz
- Output Level/Impedance
- Tape REC (Pin)..... 150 mV/330 ohms
- (DIN)..... 30 mV/80 k ohms
- Phono Frequency Response..... RIAA standard curve ± 0.2 dB (20 Hz to 20,000 Hz)
- Loudness Control..... +10 dB at 100 Hz (at -30 dB VOLUME Level)
- Tone Control
- Bass..... ± 10 dB, at 50 Hz
 ± 10 dB, at 100 Hz
- Treble..... ± 10 dB, at 10 kHz
 ± 10 dB, at 20 kHz
- Subsonic Filter..... 18 Hz, 6 dB/oct (DC COUPLED at OFF)

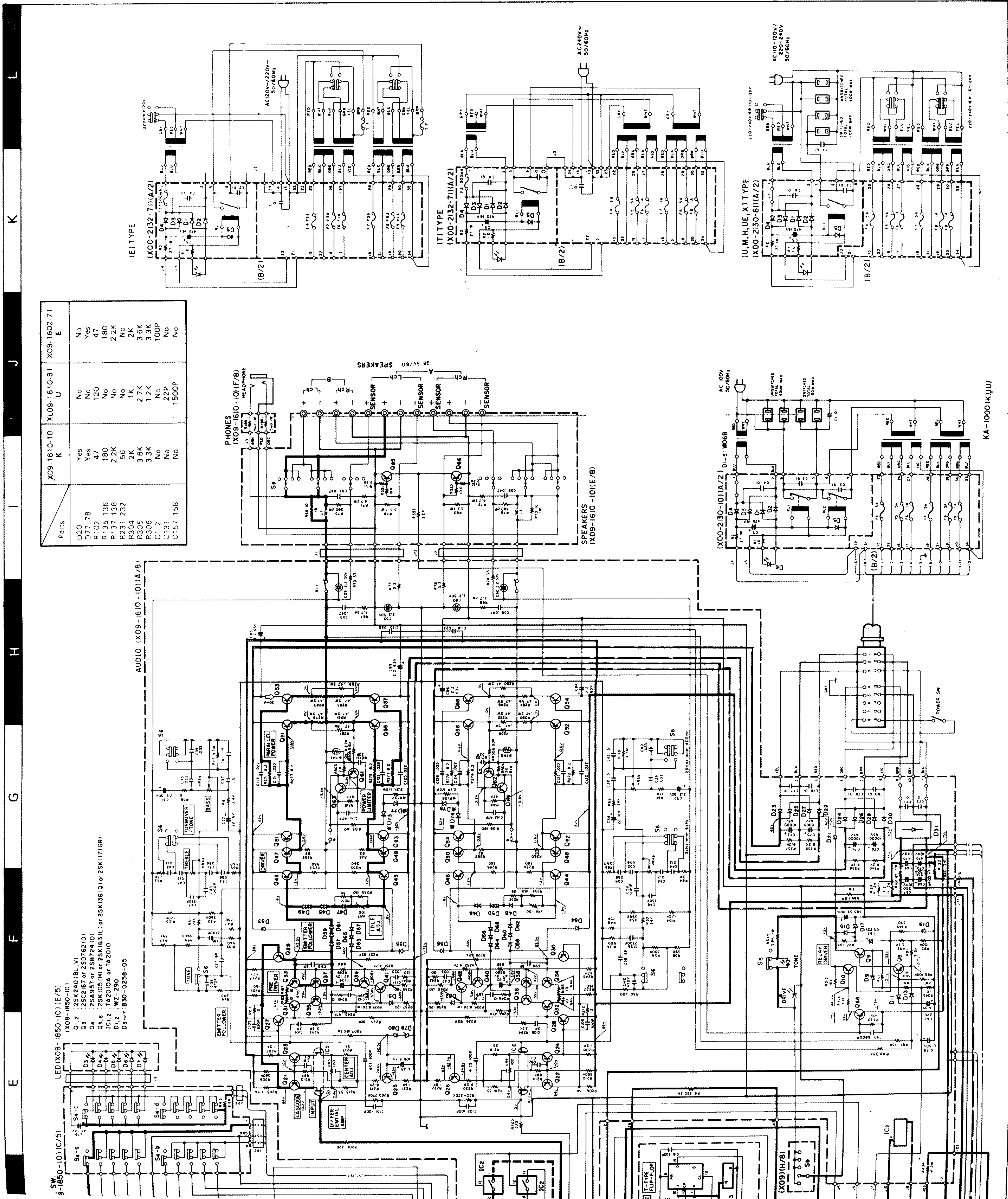
GENERAL
 Power Consumption..... 800 watts (IEC)
 AC Outlets..... Switched 2, Unswitched 2
Dimensions
 Amplifier (KA-1000)..... Power Supply (KA-1000-PS)
 W 440 mm (17-5/16") 140 mm (14-1/2")
 H 123 mm (4-27/32") 123 mm (4-27/32")
 D 375 mm (14-3/4") 358 mm (14-3/32")
Net Weight
 14.4 kg (31.7 lb) 8.0 kg (17.6 lb)

* Measured pursuant to Federal Trade Commission's Trade Regulation rule on Power Output Claims for Amplifier in U.S.A.

Kenwood follows a policy of continuous advancements in development. For this reason specifications may be changed without notice.

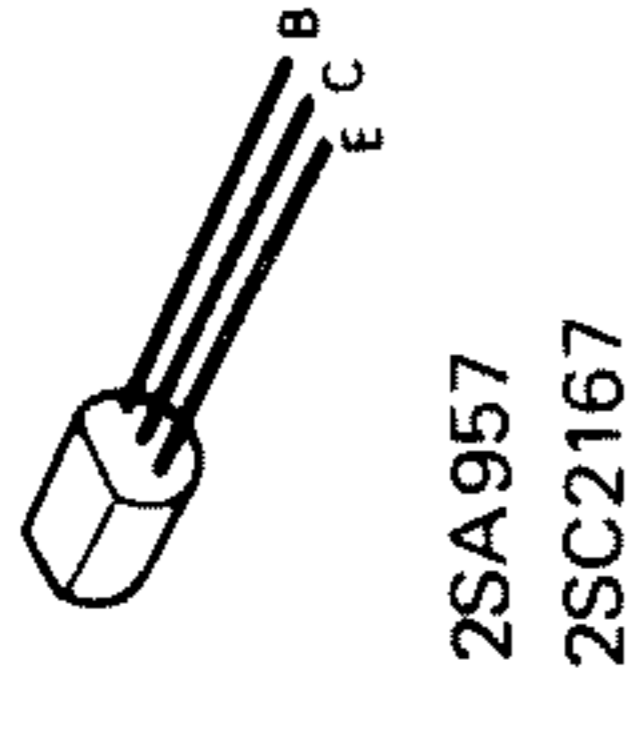
Kenwood poursuit une politique de progrès constants en ce qui concerne le développement. Pour cette raison les spécifications sont sujettes à modifications sans préavis.

Kenwood strebt ständige Verbesserungen in der Entwicklung an. Daher bleiben Änderungen der technischen Daten jederzeit vorbehalten.

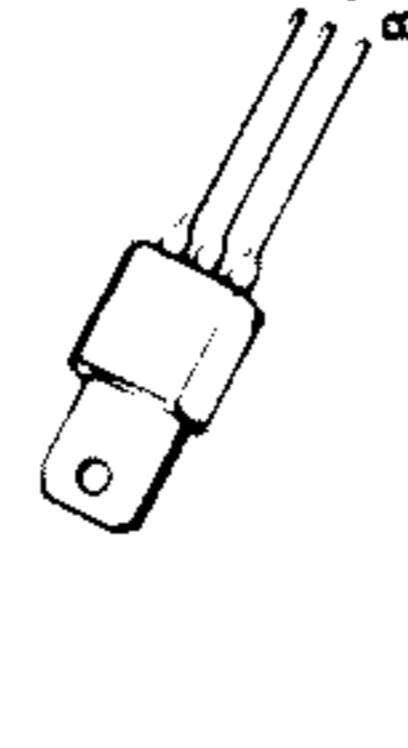


DC voltages are measured by a VOM with 25 k Ω /V input impedance.

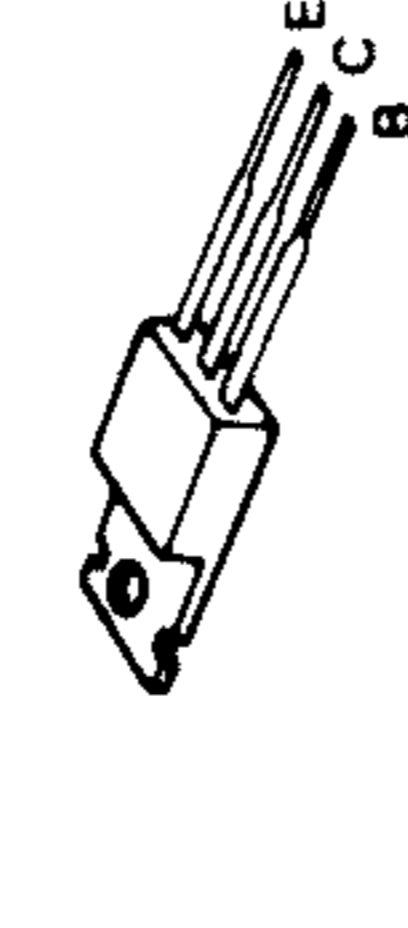
- 2SA733
- 2SA872
- 2SA912
- 2SA954
- 2SA992
- 2SA999
- 2SA1123
- 2SA1124
- 2SA1127NC
- 2SC535
- 2SC945
- 2SC1674
- 2SC1775
- 2SC1845
- 2SC1885
- 2SC1923
- 2SC2320
- 2SC2631



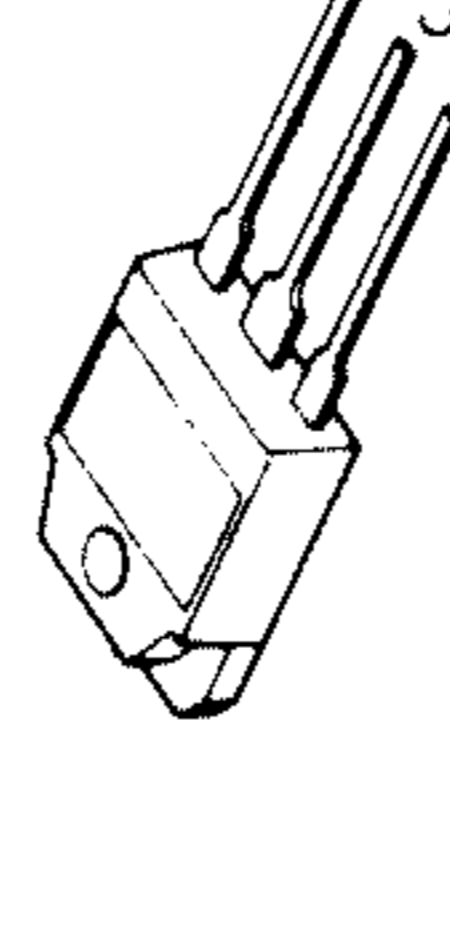
- 2SA957
- 2SC2167



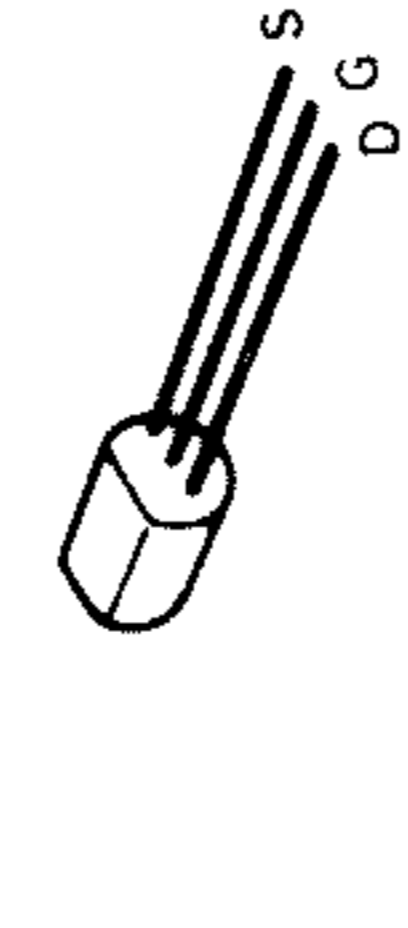
- 2SA985A
- 2SA1111
- 2SB724
- 2SC2275A
- 2SC2591
- 2SC2632
- 2SD762
- 2SD313V-AL



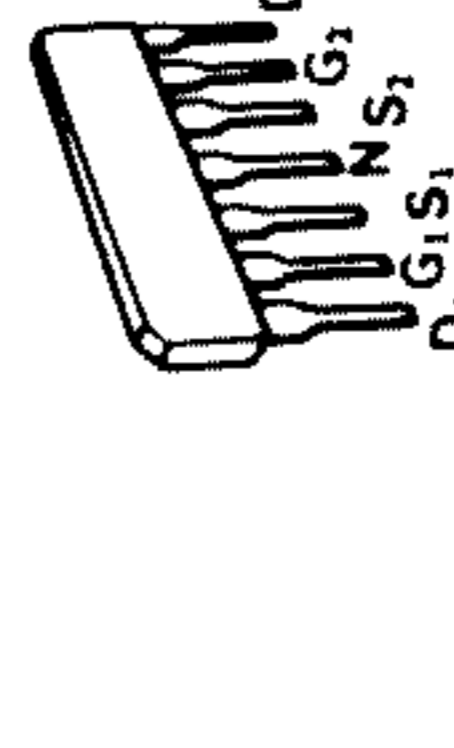
- 2SA1186
- 2SC2837



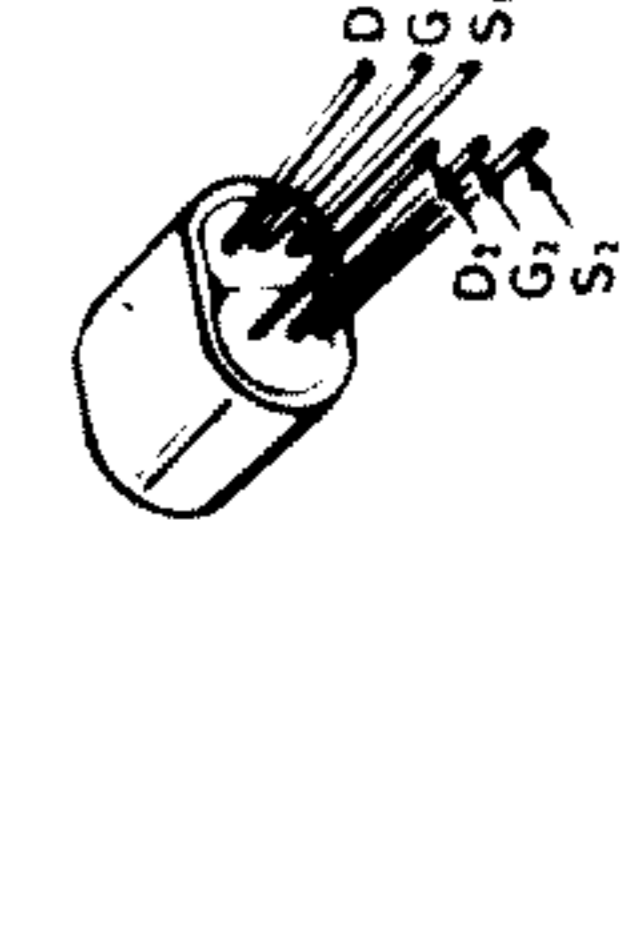
- 2SK105
- 2SK117
- 2SK163
- 2SK136



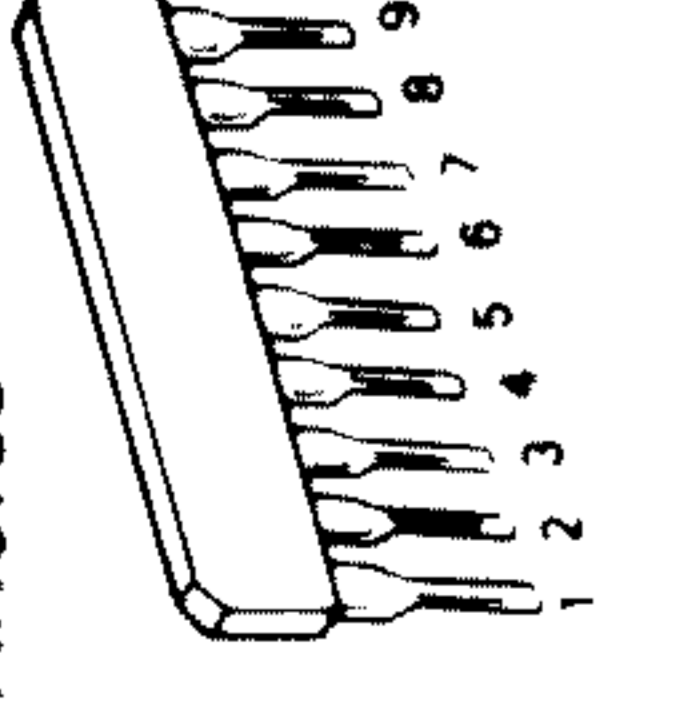
- μ PA68H



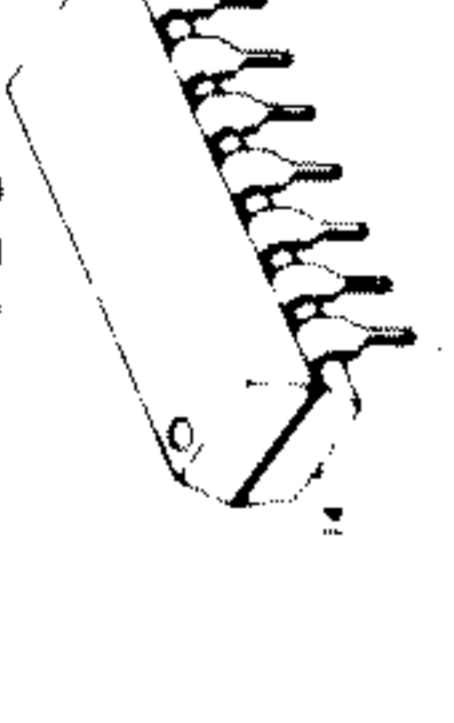
- 2SK240



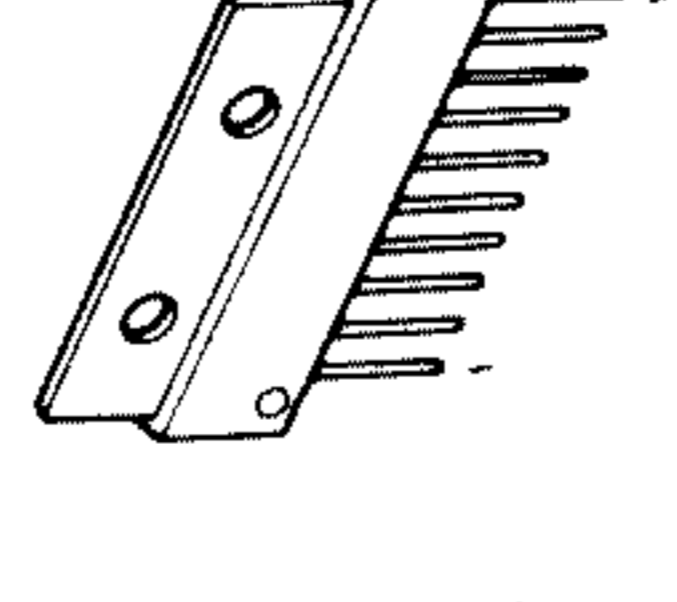
AN5733



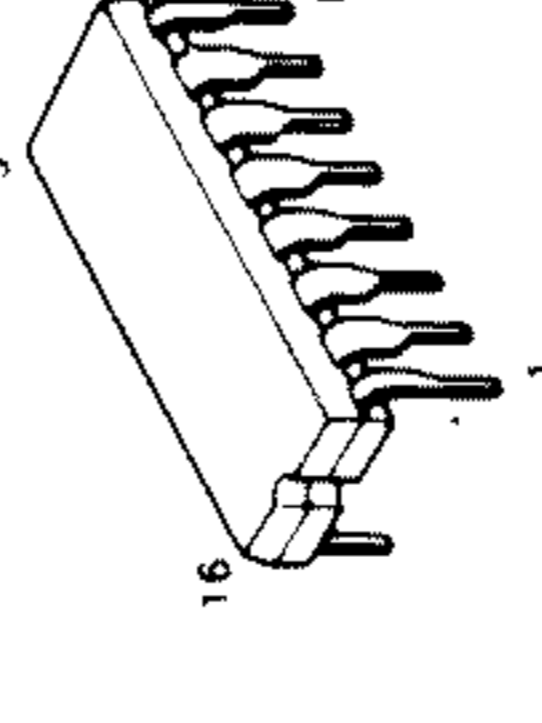
- MB840668
- MB840698
- μ PD4066BC
- μ PD4069UBC



TA2010



TC4027BP



1

2

3

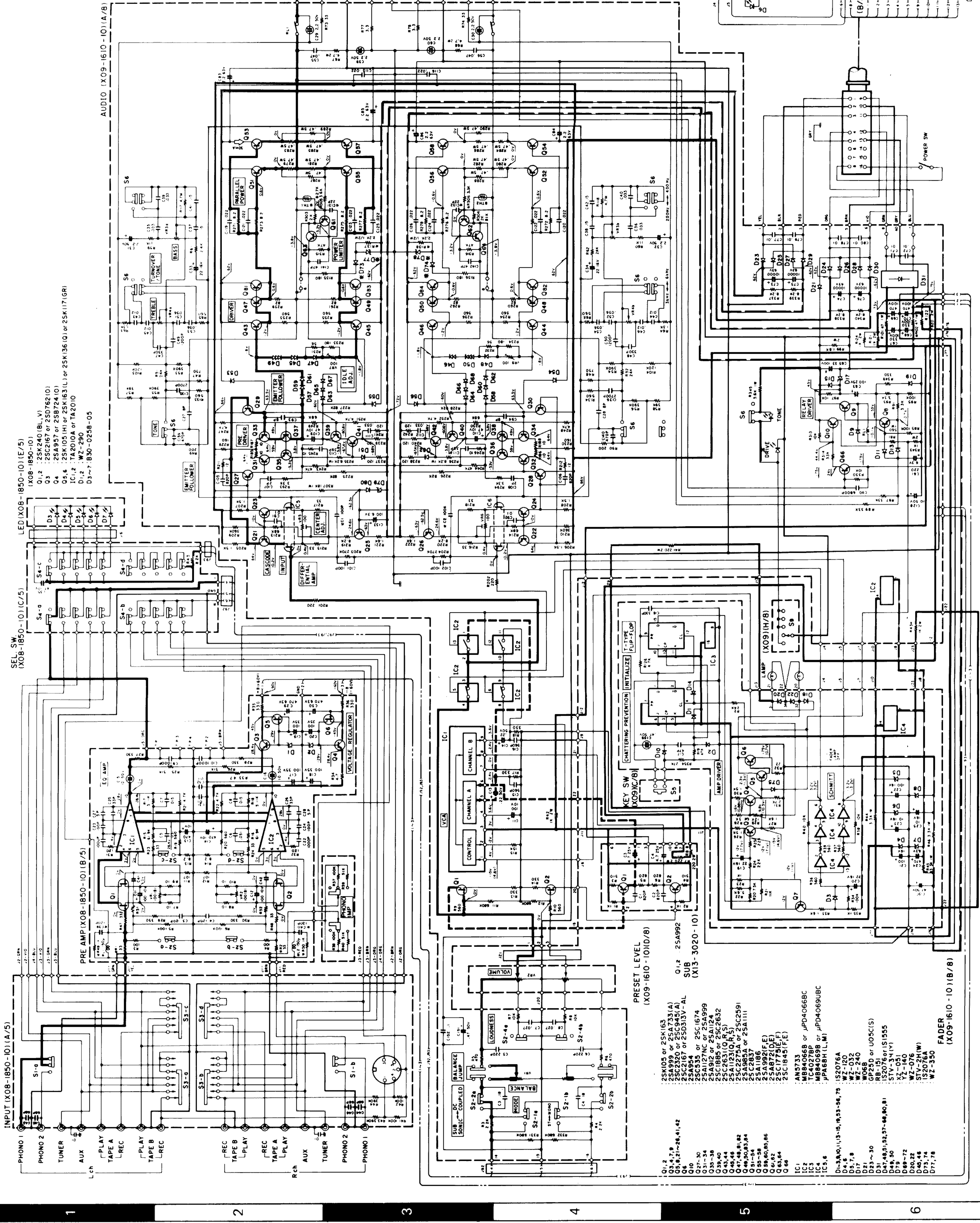
4

5

6

Parts

D20
D77 78
R102
R135 136
R137 138
R231 232
R304
R305
C1 2
C131
C157 158



INPUT (X08-1850-10)(A/5)

PRE AMP (X08-1850-10)(B/5)

SEL SW (X08-1850-10)(C/5)

LED (X08-1850-10)(E/5)

AUDIO (X09-1610-10)(A/B)

SPEAKERS (X09-1610-1)

PRESET LEVEL (X09-1610-10)(D/B)

KEY SW (X09-1610-10)(H/B)

FADER (X09-1610-10)(I/B/8)

- Q1, 2
- Q3, 4, 5, 7, 8, 11, 12, 14, 22
- Q6
- Q10
- Q11, 34
- Q35-38
- Q39-40
- Q41-44
- Q45-50, 53, 54
- Q51-58
- Q59, 60, 65, 66
- Q61-62
- Q63
- Q64

- IC1
- IC2
- IC3
- IC4
- IC5, 6

- D1-3A, 8, 11, 13, 15, 18, 33-36, 71
- D4, 5
- D6, 7
- D7, 17
- D8
- D9
- D10
- D11
- D12
- D13
- D14
- D15
- D16
- D17
- D18
- D19
- D20
- D21
- D22
- D23
- D24
- D25
- D26
- D27
- D28
- D29
- D30
- D31
- D32
- D33
- D34
- D35
- D36
- D37
- D38
- D39
- D40
- D41
- D42
- D43
- D44
- D45
- D46
- D47
- D48
- D49
- D50
- D51
- D52
- D53
- D54
- D55
- D56
- D57
- D58
- D59
- D60
- D61
- D62
- D63
- D64
- D65
- D66
- D67
- D68
- D69
- D70
- D71
- D72
- D73
- D74
- D75
- D76
- D77
- D78
- D79
- D80
- D81
- D82
- D83
- D84
- D85
- D86
- D87
- D88
- D89
- D90
- D91
- D92
- D93
- D94
- D95
- D96
- D97
- D98
- D99
- D100

- IC1
- IC2
- IC3
- IC4
- IC5
- IC6
- IC7
- IC8
- IC9
- IC10
- IC11
- IC12
- IC13
- IC14
- IC15
- IC16
- IC17
- IC18
- IC19
- IC20
- IC21
- IC22
- IC23
- IC24
- IC25
- IC26
- IC27
- IC28
- IC29
- IC30
- IC31
- IC32
- IC33
- IC34
- IC35
- IC36
- IC37
- IC38
- IC39
- IC40
- IC41
- IC42
- IC43
- IC44
- IC45
- IC46
- IC47
- IC48
- IC49
- IC50
- IC51
- IC52
- IC53
- IC54
- IC55
- IC56
- IC57
- IC58
- IC59
- IC60
- IC61
- IC62
- IC63
- IC64
- IC65
- IC66
- IC67
- IC68
- IC69
- IC70
- IC71
- IC72
- IC73
- IC74
- IC75
- IC76
- IC77
- IC78
- IC79
- IC80
- IC81
- IC82
- IC83
- IC84
- IC85
- IC86
- IC87
- IC88
- IC89
- IC90
- IC91
- IC92
- IC93
- IC94
- IC95
- IC96
- IC97
- IC98
- IC99
- IC100

- D1-3A, 8, 11, 13, 15, 18, 33-36, 71
- D4, 5
- D6, 7
- D7, 17
- D8
- D9
- D10
- D11
- D12
- D13
- D14
- D15
- D16
- D17
- D18
- D19
- D20
- D21
- D22
- D23
- D24
- D25
- D26
- D27
- D28
- D29
- D30
- D31
- D32
- D33
- D34
- D35
- D36
- D37
- D38
- D39
- D40
- D41
- D42
- D43
- D44
- D45
- D46
- D47
- D48
- D49
- D50
- D51
- D52
- D53
- D54
- D55
- D56
- D57
- D58
- D59
- D60
- D61
- D62
- D63
- D64
- D65
- D66
- D67
- D68
- D69
- D70
- D71
- D72
- D73
- D74
- D75
- D76
- D77
- D78
- D79
- D80
- D81
- D82
- D83
- D84
- D85
- D86
- D87
- D88
- D89
- D90
- D91
- D92
- D93
- D94
- D95
- D96
- D97
- D98
- D99
- D100

- IC1
- IC2
- IC3
- IC4
- IC5
- IC6
- IC7
- IC8
- IC9
- IC10
- IC11
- IC12
- IC13
- IC14
- IC15
- IC16
- IC17
- IC18
- IC19
- IC20
- IC21
- IC22
- IC23
- IC24
- IC25
- IC26
- IC27
- IC28
- IC29
- IC30
- IC31
- IC32
- IC33
- IC34
- IC35
- IC36
- IC37
- IC38
- IC39
- IC40
- IC41
- IC42
- IC43
- IC44
- IC45
- IC46
- IC47
- IC48
- IC49
- IC50
- IC51
- IC52
- IC53
- IC54
- IC55
- IC56
- IC57
- IC58
- IC59
- IC60
- IC61
- IC62
- IC63
- IC64
- IC65
- IC66
- IC67
- IC68
- IC69
- IC70
- IC71
- IC72
- IC73
- IC74
- IC75
- IC76
- IC77
- IC78
- IC79
- IC80
- IC81
- IC82
- IC83
- IC84
- IC85
- IC86
- IC87
- IC88
- IC89
- IC90
- IC91
- IC92
- IC93
- IC94
- IC95
- IC96
- IC97
- IC98
- IC99
- IC100

- D1-3A, 8, 11, 13, 15, 18, 33-36, 71
- D4, 5
- D6, 7
- D7, 17
- D8
- D9
- D10
- D11
- D12
- D13
- D14
- D15
- D16
- D17
- D18
- D19
- D20
- D21
- D22
- D23
- D24
- D25
- D26
- D27
- D28
- D29
- D30
- D31
- D32
- D33
- D34
- D35
- D36
- D37
- D38
- D39
- D40
- D41
- D42
- D43
- D44
- D45
- D46
- D47
- D48
- D49
- D50
- D51
- D52
- D53
- D54
- D55
- D56
- D57
- D58
- D59
- D60
- D61
- D62
- D63
- D64
- D65
- D66
- D67
- D68
- D69
- D70
- D71
- D72
- D73
- D74
- D75
- D76
- D77
- D78
- D79
- D80
- D81
- D82
- D83
- D84
- D85
- D86
- D87
- D88
- D89
- D90
- D91
- D92
- D93
- D94
- D95
- D96
- D97
- D98
- D99
- D100

- IC1
- IC2
- IC3
- IC4
- IC5
- IC6
- IC7
- IC8
- IC9
- IC10
- IC11
- IC12
- IC13
- IC14
- IC15
- IC16
- IC17
- IC18
- IC19
- IC20
- IC21
- IC22
- IC23
- IC24
- IC25
- IC26
- IC27
- IC28
- IC29
- IC30
- IC31
- IC32
- IC33
- IC34
- IC35
- IC36
- IC37
- IC38
- IC39
- IC40
- IC41
- IC42
- IC43
- IC44
- IC45
- IC46
- IC47
- IC48
- IC49
- IC50
- IC51
- IC52
- IC53
- IC54
- IC55
- IC56
- IC57
- IC58
- IC59
- IC60
- IC61
- IC62
- IC63
- IC64
- IC65
- IC66
- IC67
- IC68
- IC69
- IC70
- IC71
- IC72
- IC73
- IC74
- IC75
- IC76
- IC77
- IC78
- IC79
- IC80
- IC81
- IC82
- IC83
- IC84
- IC85
- IC86
- IC87
- IC88
- IC89
- IC90
- IC91
- IC92
- IC93
- IC94
- IC95
- IC96
- IC97
- IC98
- IC99
- IC100

No other than TC4027BP is to be used for IC3.